

Engineering Surveys and Services

Consulting Engineers, Geologists, and Land Surveyors
Analytical and Material Laboratories

Addendum No: One (01)
Project: **SAFE ROUTES TO SCHOOL 2008**
FEDERAL PROJECT NO. SRTS-INF-H105 (003)
SEDALIA, MISSOURI
Date: 23 December 2009

The following changes, additions, modifications, information and clarifications are hereby made to the Drawings and Specifications dated 8 June 2009, and shall be incorporated in preparation of all Proposals for the Work.

A. PRE-BID MEETING QUESTIONS AND ANSWERS

1. The meeting agenda and list of attendees are attached for reference.
2. Aggregate base beneath existing sidewalks may be left in place provided the thickness and compacted density requirements are met. The Contractor shall be responsible for confirming the depth of any aggregate base left in place.

B. SPECIFICATIONS

1. **INSERT** the following in the INSTRUCTIONS TO BIDDERS, page 6:
 14. COMPLIANCE WITH THE CONSTRUCTION SAFETY TRAINING ACT

The Contractor shall be responsible to ensure compliance with Section 292.675 RSMo, known as the Construction Safety Training Act, including the Occupational Safety and Health Administration (OSHA) 10-hour training required for all on-site employees of the Contractor and any of his subcontractors.
 15. COMPLIANCE WITH IMMIGRATION STATUS VERIFICATION

The Contractor shall be responsible to ensure compliance with Section 208.009 RSMo, requiring proof of lawful presence of all employees.”
2. **INSERT** the following in the SPECIAL CONDITIONS, page 7:

“All manufactured goods or commodities used or supplied in the performance of this contract shall be manufactured or produced in the United States per Section 34.353 RSMo.”
3. Delete **PROPOSAL**, pages 10 and 11, in its entirety. **INSERT** attached **PROPOSAL**.

4. **INSERT** the following in the TECHNICAL SPECIFICATIONS, page 114:
“Tree stump removal may be accomplished by grinding in place. If this method is selected, stumps and root systems shall be completely removed to a minimum depth of 24” below finished grade.”
5. **INSERT** the following in the TECHNICAL SPECIFICATIONS SP-1 ROOT CONTROL BARRIER, page 123:
“Root control barrier shall extend 24 inches below existing ground and shall be installed per manufacturer’s recommendations.”

C. DRAWINGS

1. **ADDM1-SK1** – Piping Detail.

Pre-Bid Meeting December 16, 2009

1. General Remarks

- a. New sidewalk construction along Ingram Avenue from 16th Street to 27th Street, excluding that portion at the Sedalia Middle School. The project includes removal of existing sidewalks, construction of new sidewalk and ADA accessible ramps, and new driveway approaches.
- b. Bid open 2:00 Wednesday January 6, 2010.
- c. 60 calendar days in Contract.
- d. Anticipated NTP in early March and contract completion in early May.
- e. Projection of probable construction cost \$142,600.

2. Plan and Specifications Review

- a. OSHA 10 hour safety training required.
- b. E-Verify – Work Authorization required.
- c. American made products.
- d. No second-tier subcontracting.
- e. Special Conditions – Tree removal
- f. Anti-Collusion Statement, page 12, **must** be executed and submitted with proposal.
- g. **Zero (0) percent DBE goal for this project. DBE forms do not need to be submitted**
- h. Change Orders procedure.
- i. Proper notification of road closure.

3. Prevailing Wage

- a. As provided in the spec.
- b. Excessive unemployment in effect.

4. Concerns of Utilities

- a. Two fire hydrants to be relocate by others.

5. Traffic Control

- a. Contractor's responsibility.

6. Addenda items

- a. Revised Proposal form to update quantities.
- b. Pipe lengths extended to accommodate slope
- c. OSHA 10 hour safety training required.
- d. E-Verify – Work Authorization required.
- e. American made products.

PROPOSAL

TO THE CITY OF SEDALIA, MISSOURI:

Pursuant to and in compliance with the Notice to Contractors and having examined the plans and specifications with related documents and the site(s) of the proposed work, the undersigned bidder proposes and agrees, if this proposal is accepted, to furnish all labor, materials, tools, supplies, equipment and supervision and to do all other work necessary for the **SAFE ROUTES TO SCHOOL 2008 PROJECT, Project 2008-07, FEDERAL PROJECT NO. SRTS-INF-H105 (003), dated June 8, 2009** - project, as noted in these contract documents for the following price(s):

Item No.	Description	Unit	Estimated Quantity	Unit Cost	Amount
1.00	MOBILIZATION AND BONDING	LS	1		
2.00	TRAFFIC CONTROL	LS	1		
3.00	UNCLASSIFIED EXCAVATION AND REMOVALS	LS	1		
4.00	ROOT CONTROL BARRIER	LF	465		
5.00	DRIVEWAY APPROACH 1621 S. INGRAM	SY	17		
6.00	DRIVEWAY APPROACH 1821 S. INGRAM	SY	23		
7.00	DRIVEWAY APPROACH 2205/2301 S. INGRAM	SY	60		
8.00	DRIVEWAY APPROACH 2301 S. INGRAM	SY	49		
9.00	DRIVEWAY APPROACH 2331 S. INGRAM	SY	45		
10.00	6" TYPE 1 AGGREGATE BASE	SY	194		
11.00	10" PVC SCHEDULE 40, IN PLACE	LF	42		
12.00	22" WIDE YELLOW STRIPING AT STA 13+27	LF	18		
13.00	ADA CONC SIDEWALK RAMPS W/ 4" TYPE 1 AGGREGATE BASE, IN PLACE	EA	17		
14.00	4" CONC SIDEWALK W/ 4" TYPE 1 AGGREGATE BASE, IN PLACE	SY	748		
15.00	4" CONC SIDEWALK W/ 2" SAFETY CURB & 4" TYPE 1 AGGR BASE, IN PLACE	SY	38		
16.00	6" CONC SIDEWALK W/ RETAINING WALL (110 LF) W/ 4" TYPE 1 AGGREGATE BASE, IN PLACE	LS	1		
17.00	6" CONC SIDEWALK W/ 6" TYPE 1 AGGREGATE BASE, IN PLACE	SY	78		
18.00	6" CONC SIDEWALK W/ 6" CURB & 6" TYPE 1 AGGREGATE BASE, IN PLACE	SY	18		
19.00	8" CONC SIDEWALK W/ 6" TYPE 1 AGGREGATE BASE, IN PLACE	SY	15		

TOTAL AMOUNT OF BID: \$ _____

Bidder acknowledges receipt of the following addenda, which has been considered in the preparation of this bid:

Addenda No. _____ Dated: _____
 Addenda No. _____ Dated: _____
 Addenda No. _____ Dated: _____

The undersigned agrees, if this proposal is accepted, to complete the work within a period of 60 calendar days from the date of the Notice to Proceed.

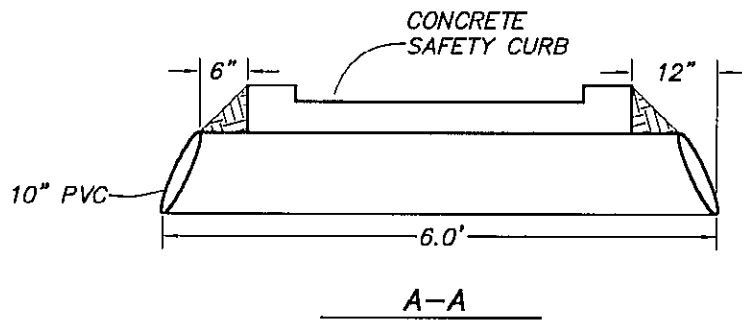
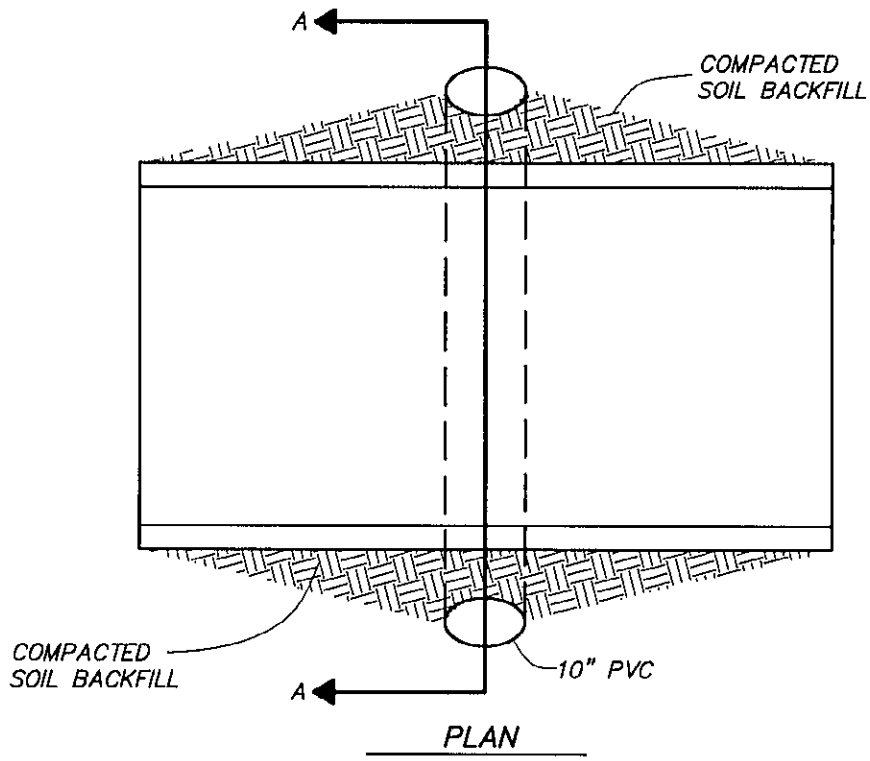
NAME OF BIDDER: _____

BY: _____

TITLE: _____

ADDRESS: _____

DATE: _____



PIPING DETAIL

NOT TO SCALE

**SAFE ROUTES TO SCHOOL
SEDALIA, MISSOURI**

PROJECT NO. 2008-07
FEDERAL PROJECT NO. SRTS-INF-H105(003)
SKETCH NO: ADDM1-SK1
23 DECEMBER 2009



Engineering Surveys & Services

1775 West Main Street
Sedalia, Missouri
660 - 826 - 8618